

6

5

4

3

2

1

D

D

C

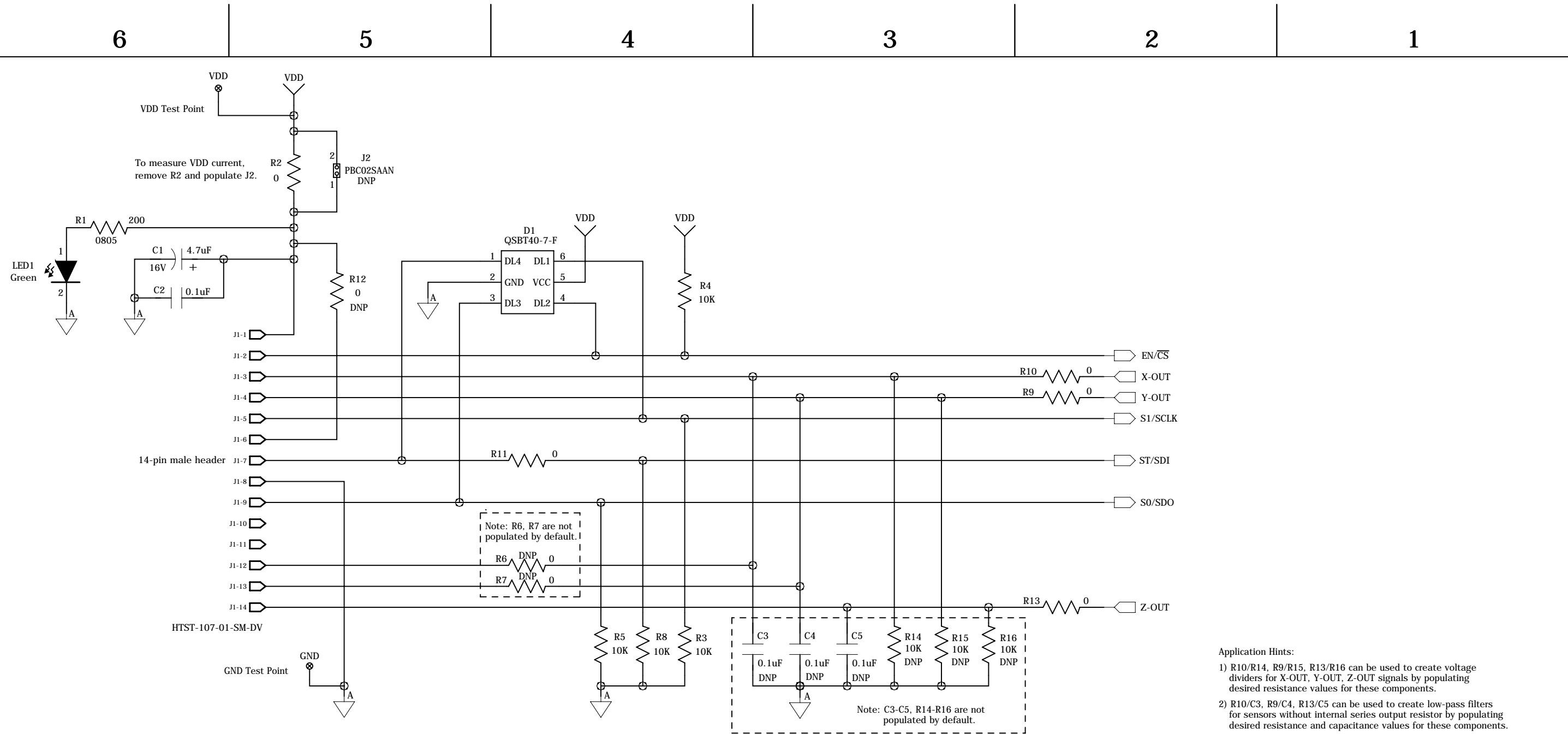
C

B

B

A

A



- Application Hints:
- 1) R10/R14, R9/R15, R13/R16 can be used to create voltage dividers for X-OUT, Y-OUT, Z-OUT signals by populating desired resistance values for these components.
 - 2) R10/C3, R9/C4, R13/C5 can be used to create low-pass filters for sensors without internal series output resistor by populating desired resistance and capacitance values for these components.
 - 3) C3, C4, C5 can be used to create low-pass filters for sensors with internal series output resistors by populating the desired capacitance values for these components.

- NOTES:
- 1) All resistors are 1%, 1/10W, 0603 unless otherwise specified.
 - 2) All ceramic capacitors are 0.1uF, 10%, 50V, X7R, 0603 unless otherwise specified.
 - 3) Index:
Sheet 1: Interface Connector J1; this sheet.
Sheet 2: U1 - 3x3 LGA 10-Pin.
Sheet 3: U2 - 5x5 DFN 14-Pin.
Sheet 4: Revision History.
 - 4) DNP stands for Do Not Populate. The component is not populated by default.

COMPANY:				
TITLE: RoKiX Analog Evaluation Board Interface Connector				
CHECKED: A Chernyakov	DATED: 05/13/2019	CODE: DWG1032	SIZE: B	REV: D
QUALITY CONTROL: <QC By>	DATED: <QC Date>	DRAWING NO: KMAEDA002R00		
RELEASED: <Released By>	DATED: <Release Date>	SCALE: NONE		SHEET: 1 of 4

6

5

4

3

2

1

D

D

C

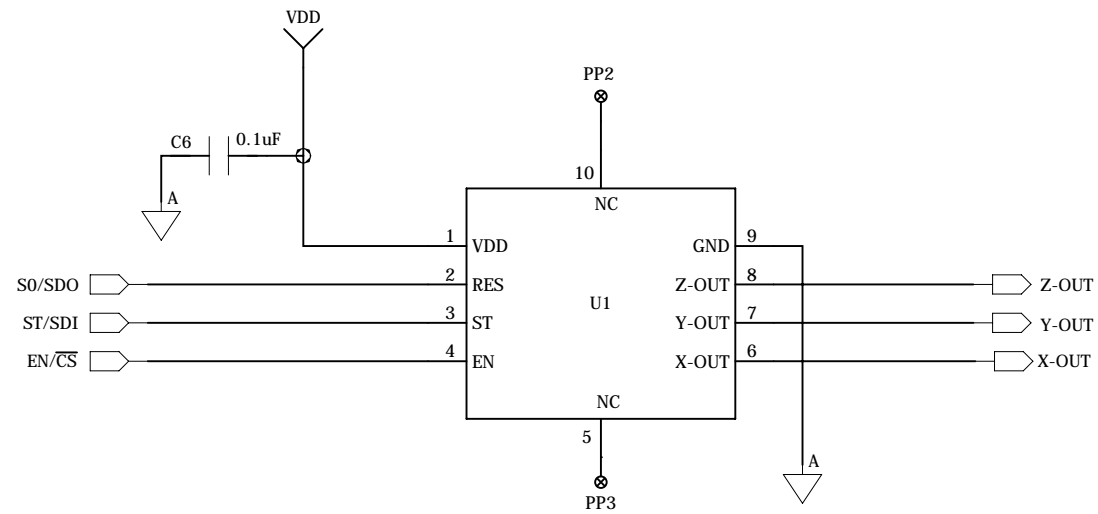
C

B

B

A

A




3x3 LGA 10-Pin

PIN	Pinout Type-1	
1	VDD	
2	Reserved*	
3	ST**	
4	Enable***	
5	N/C	
6	X-Output	
7	Y-Output	
8	Z-Output	
9	GND	
10	N/C	

* Reserved pin. Must be connected to VDD or GND. Do not leave floating.
 ** ST (Self-Test) pin: Connect to GND for normal operation. Connect to VDD for Self Test mode.
 *** Enable pin: Connect to VDD to enable the part.

1) Population-
 a) Pinout Type 1: KXTC9, KX220.

COMPANY: 				
TITLE: RoKiX Analog Evaluation Board 3x3 LGA 10-Pin				
CODE:	SIZE:	DRAWING NO:	REV:	
DWG1032	B	KMAEDA002R00	D	
SCALE: NONE			SHEET: 2 of 4	

DRAWN: A Chernyakov	DATED: 05/13/2019
CHECKED: A Chernyakov	DATED: 05/13/2019
QUALITY CONTROL: <QC By>	DATED: <QC Date>
RELEASED: <Released By>	DATED: <Release Date>

6

5

4

3

2

1

D

D

C

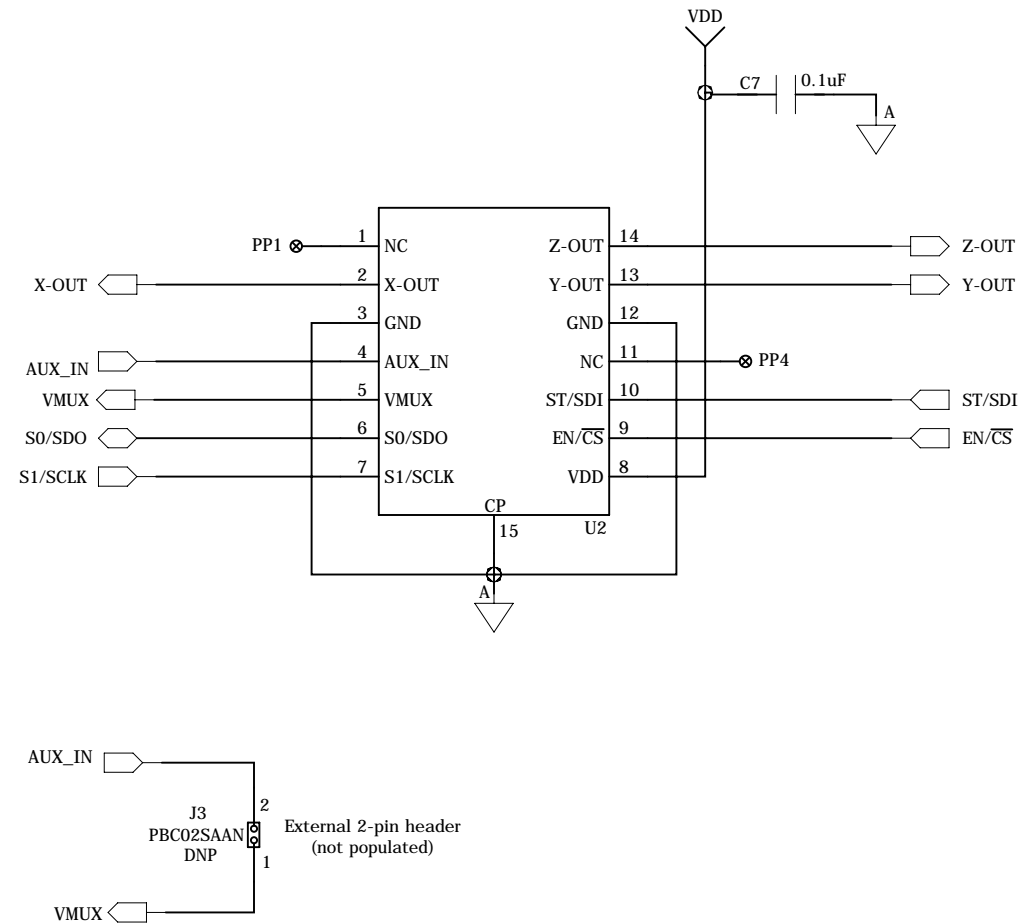
C

B

B

A

A



5x5 DFN 14-Pin

PIN	Pinout Type-1
1	N/C*
2	X-Output
3	GND**
4	AUX IN
5	VMUX
6	S0/SDO
7	S1/SCLK
8	VDD
9	EN/CS****
10	ST/SDI***
11	N/C*
12	GND
13	Y-Output
14	Z-Output
15	Center Pad**

* N/C pin. Can be connected to VDD, GND or left floating.
 ** Pin 3 and Pin 15 are internally tied together.
 *** ST (Self-Test) pin: Connect to GND for normal operation. Connect to VDD for Self Test mode.
 **** Enable pin: Connect to VDD to enable the part.

1) Population-
 a) Pinout Type 1: KXR94, KXD94.

COMPANY:							
TITLE:				RoKiX Analog Evaluation Board 5x5 DFN 14-Pin			
CODE:	SIZE:	DRAWING NO:		REV:			
DWG1032	B	KMAEDA002R00		D			
SCALE: NONE				SHEET: 3 of 4			

DRAWN: A Chernyakov	DATED: 05/13/2019
CHECKED: A Chernyakov	DATED: 05/13/2019
QUALITY CONTROL: <QC By>	DATED: <QC Date>
RELEASED: <Released By>	DATED: <Release Date>

