

6

5

4

3

2

1

D

C

B

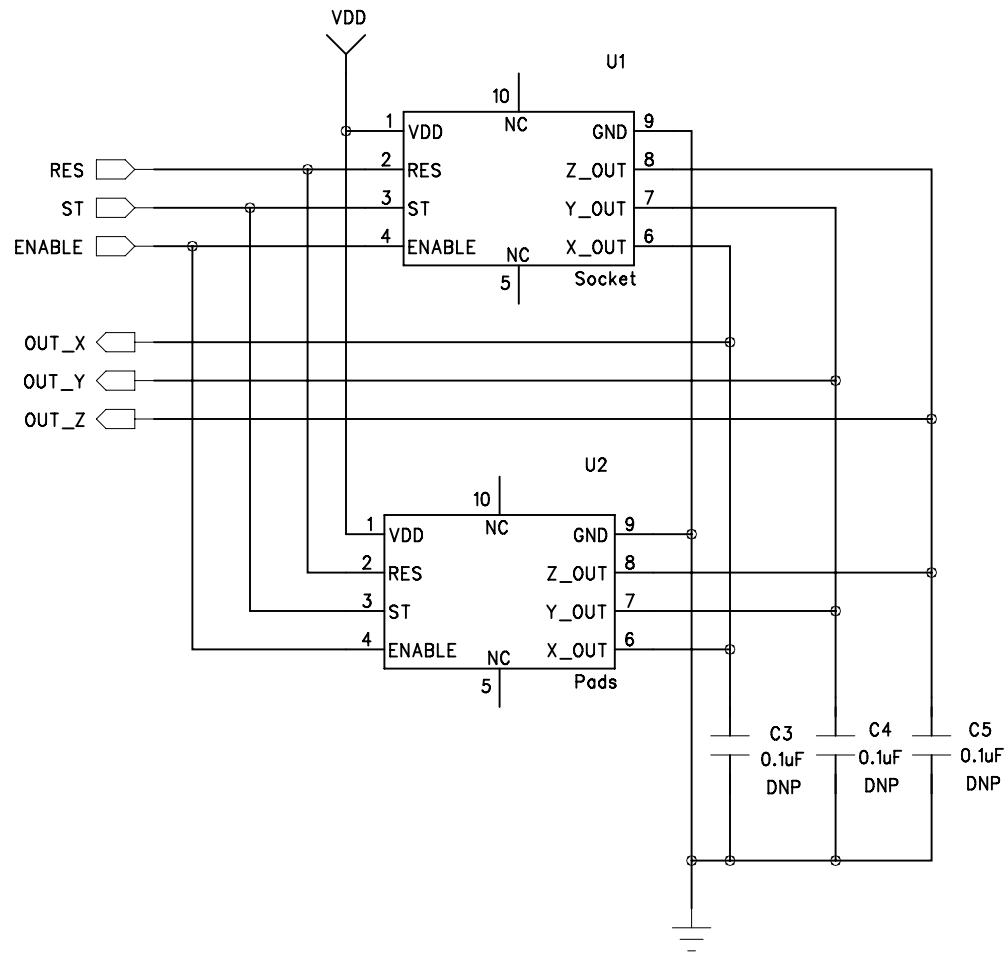
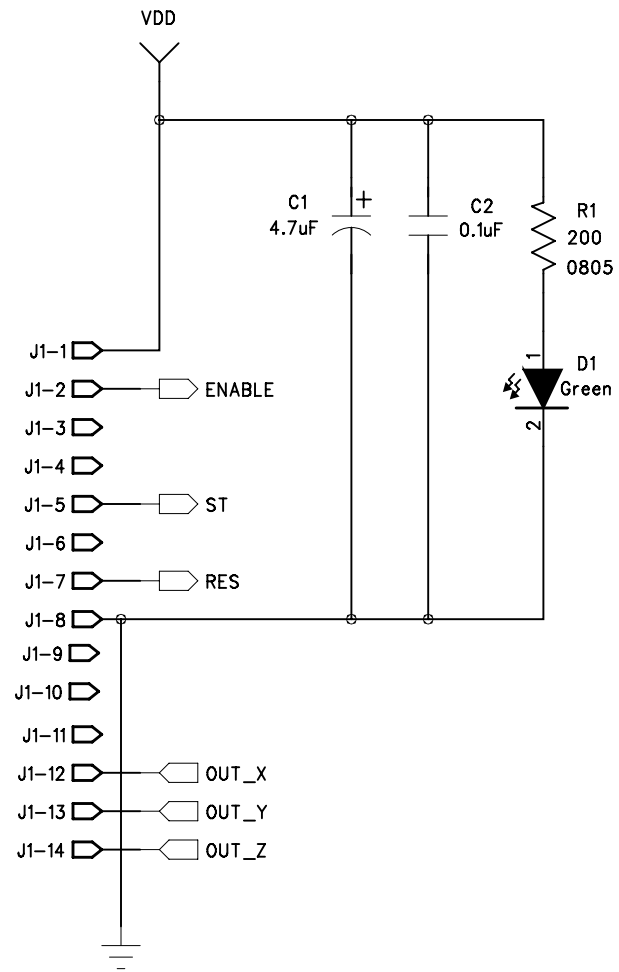
A

D

C

B

A



PIN	KXCT9	KX220		
1	VDD	VDD		
2	RES*	RES*		
3	ST**	ST**		
4	ENABLE***	ENABLE***		
5	NC	NC		
6	X Output	X Output		
7	Y Output	Y Output		
8	Z Output	Z Output		
9	GND	GND		
10	NC	NC		

\*RES pin 2 is reserved and should be tied to VDD or GND.  
 \*\*ST pin 3 is for self-test and should be tied to GND for normal operation.  
 \*\*\*ENABLE pin 4 should be tied to VDD for normal operation.

NOTES:

- 1) All resistors are 1%, 1/10W, 0603 unless otherwise specified.
- 2) All ceramic capacitors are 10%, 50V, 0603, X7R unless otherwise specified.
- 3) U1 socket: Loranger International, 03717 111 6218A.

COMPANY: <b>Kionix Inc.</b>				
TITLE: <b>KXTC9 Evaluation Board</b>				
DRAWING	SIZE:	DRAWING NO:	REV:	
<b>DWG677</b>	<b>B</b>	<b>KAMMDM001R41</b>	<b>1</b>	
SCALE: None.			SHEET: 1 OF 2	

DRAWN: J Zappala	DATED: 03/08/2017
CHECKED: <Checked By>	DATED: <Checked Date>
QUALITY CONTROL: <QC By>	DATED: <QC Date>
RELEASED: <Released By>	DATED: <Release Date>

